

Wired Wall Thermostat Installation:

The ceiling cassette comes with an optional wall mounted wired thermostat.

ATTENTION:

- Use of the wall mounted thermostat will disable both the unit’s control panel and the wireless remote. Alternatively, if the wall mounted thermostat is disconnected; both the unit’s control panel and wireless remote can be used to operate the unit.
- Each ceiling cassette must use an independent wireless remote or wall mounted wired thermostat.
- The wired thermostats cannot be daisy chained together nor can one wireless remote control be programmed to operate all of the ceiling cassettes installed on a system.
- If the wired thermostat is plugged in, the control panel of the unit will not function or display temperature.

1. Installation of the optional wired thermostat requires a connection to be made between it and the indoor unit’s control board.
2. Pass one end of the thermostat cable through the rubber gasket on the rear of the wall mounted thermostat and connect the connector to the board.
3. Run the opposite end of the thermostat wire through the rubber gasket of the indoor unit’s electrical control box.
4. Remove the indoor unit’s electrical box cover and connect the thermostat wire’s connector to the connector labeled CN9 on the board.
5. Re-install the electrical box cover and mount the thermostat to the wall location, if not already done.
6. Any additional slack in the thermostat wire can be coiled up and bound with the provided wire ties.

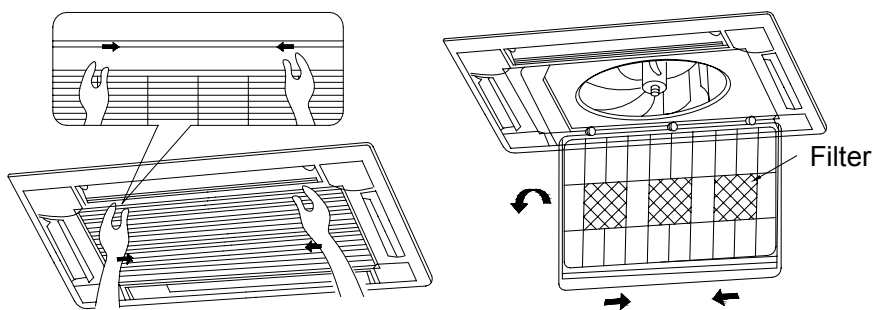
NOTE: Refer to the owner’s manual for instructions regarding the operation of the wired thermostat.

Cassette Panel Installation:

12/18K Cassette Panel Installation:

ATTENTION: The 12K/18K panel should be aligned so that its control panel is located on the same side as the indoor unit’s electrical box.

1. The screw holes for the 12K/18K unit cannot be accessed without removing the air inlet grille that houses the filter.
2. To remove it, unscrew the (2) small shipping screws on the tabs of the air inlet grille, then push the tabs in to open the inlet grille.
3. The inlet grille can then be removed from the panel frame to expose the screw holes to attach it to the indoor unit.



4. The screws provided with a washer and lock washer should be used to attach the panel frame to the indoor unit. **Attention:** Before screwing in the panel to the indoor unit, be certain that all of the connecting cables are pulled out for access later.

5. As the panel is being screwed in, ensure that it remains level on all sides.
6. The insulation material of the ceiling cassette panel will compress to create a tight seal.
7. Once installed, the inlet grille can be re-attached to the frame. The shipping screws on the tabs do not need to be re-installed.

24K Cassette Panel Installation:

ATTENTION:

- Before carrying out the panel installation process, please refer to the Electrical Panel Connections section of the manual. The 24K requires a pin connector to be connected to CN21 on the indoor unit's control board under the control panel cover. This step is easiest if done before the 24K panel is installed.
 - The 24K panel should be aligned such that the louver motor is on the same corner as the indoor unit's refrigerant connections.
1. 24K panel should be suspended by the metal clips onto the indoor unit's hooks during installation.
 2. Two of the hooks for the metal clips are on the exterior edge of the unit; the other two can only be accessed when the air inlet grille is removed, by reaching inward.

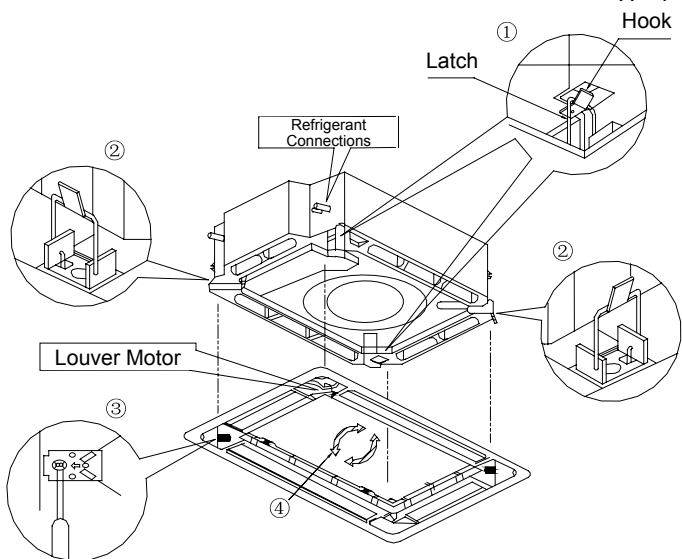
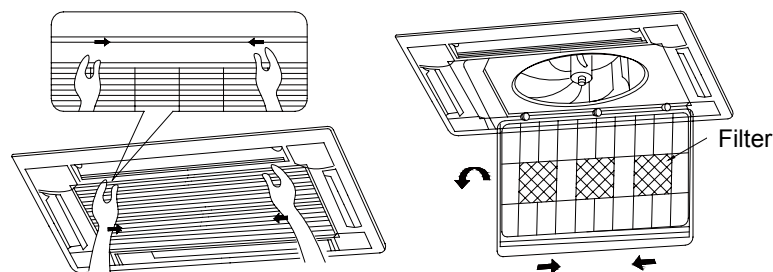


Photo of clip attached to hook

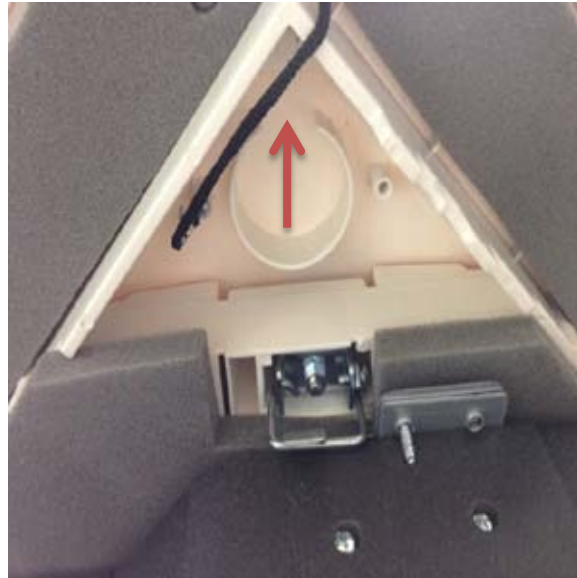


3. To remove the air inlet grille, unscrew the (2) small shipping screws on the tabs of the air inlet grille, then push the tabs in to open the inlet grille.
4. The inlet grille can then be removed from the panel frame to access the metal clips and attach to the inside of the unit.



5. Once all Four clips are attached the hooks on the unit, the panel needs to be tightened. To access the screws for tightening down, each corner cover must be removed.

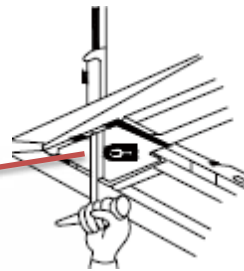
6. To remove the corner cover panels, simply reach inside the circular indentation and pull outward toward the corner in the direction of the arrow shown below.
 - The cover is attached with magnets, so no heavy force is required to remove the corner covers.
 - Each corner cover is secured with a cable, so that it will not fall once it is removed.



7. With the cover removed from each corner, a leveling screw will be exposed. Simply tighten the screw to raise the panel on each corner. **Note:** There is a small arrow stamped into the bracket to signify which screw to tighten.

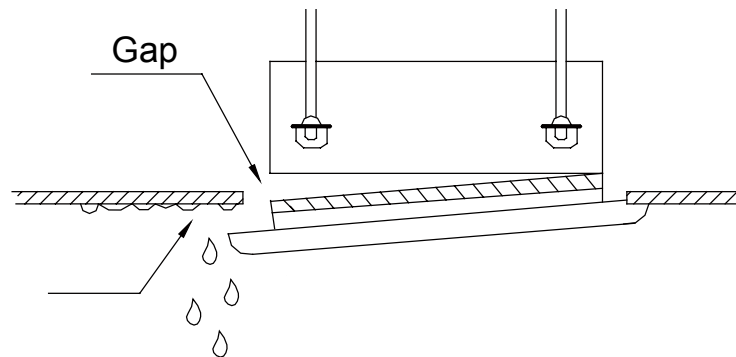


ATTENTION: The corner cover panels can be removed to also provide access to the threaded rod.



8. As the panel is being screwed in, ensure that it remains level on all sides.
9. The insulation material of the ceiling cassette panel will compress to create a tight seal.
10. Replace the corner cover panels on all four corners.

WARNING: If a gap exists between the ceiling tiles and the ceiling cassette panel, condensate may leak.



Panel Electrical Connections

1. Once the panel is installed, the connections can be made between the panel and the indoor unit.
2. There are two cables with connectors on each end.
3. The connectors are different, so they can only connect one way and cannot be interchanged.
4. Be sure these connections are securely made to ensure power is sent from the indoor unit to the panel's louver motors and controls.

ATTENTION:

- The 12/18K model has (2) connections to be made between the panel and the indoor unit.
- The 24K model has (3) connections to be made. Two of these connections are made between the indoor unit and the panel (red and white connectors) and the third pin connector will be connected to CN21 on the indoor unit's control board underneath the control panel cover.

